

# MANISCOPIC

**MLT 845**  
120 LSU


**LOAD SENSING ULTRA**


- Lifting height : 7.55 m
- Capacity : 4500 kg
- Maximum forward reach : 4.57 m
- Torque convertor
- 4 wheel-drive
- Engine : 123 HP
- Load Sensing Ultra :  
150 l/mn - 240 bars


MLT 845 - 120 LSU - TFF 45 MT 1040


 **MANITOU**

# MLT 845-120 LSU


 **Lift capacity** .....4500 kg  
 at 500 mm from forks heels  
 Tipping load  
 at maximum reach .....1610 kg  
 Tear out force with toothed digging bucket  
 to ISO 8313 with tilting ram .....6650 daN


 **Lift height** .....7.55 m  
**Times : unladen/loaded (in s)**  
 Lifting .....9.6/10.4  
 Lowering .....6.1/5.6  
 Boom extension .....9.8/10.1  
 Boom retraction .....7.8/7.9  
 Time unladen (in s)  
 Crowd .....3.7  
 Dump .....3.2


 **Tyres**  
 445/70 R 24 IT 510


 **Forks (mm)**  
 Length .....1200  
 Width x thickness .....125 x 50  
 Maximum distance between forks .....1260  
 Carriage rotation .....142°


 **Multidisc brakes hydraulically assisted on both axles**  
**Negative parking brake (electro-hydraulic)**

 **Perkins engine**  
 Turbo : 1104 C - 44 TA .....4 cylindres 4400 cm<sup>3</sup>  
 Power (ISO TR 14396) .....123 HP/90.5 kw  
 Maximum torque .....434 Nm at 1400 rpm  
 Direct injection  
 Water cooling

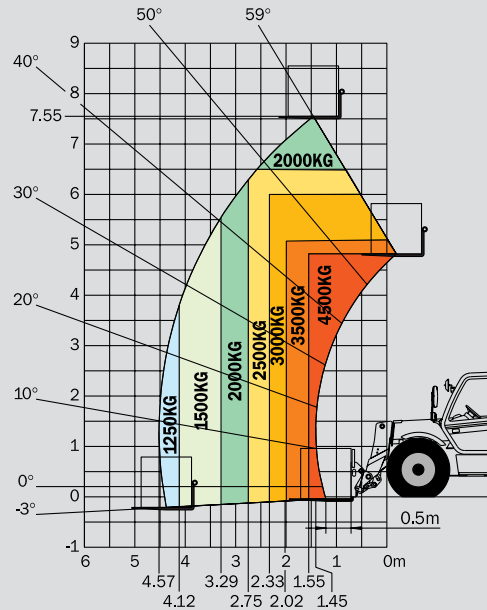
 **Transmission** .....Torque convertor  
 Electro - hydraulic reversing shift  
 4 speeds forward and reverse  
 Maximum travel speed .....25 km/h\*

 **Turbo 120 LSU :** .....150 l./mn - 270 bars  
 Load Sensing pump with electronic control  
 Electro proportional command monolever  
 Flow divider with load sensing device driving and braking

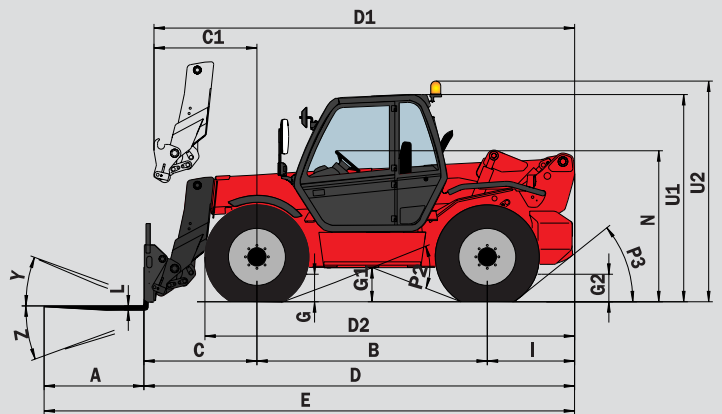
 **Capacities**  
 Cooling system .....18.5 l.  
 Engine oil ..... 11 l.  
 Hydraulic oil .....131 l.  
 Transmission oil .....16 l.  
 Fuel tank .....135 l.

 **Weight unladen (with forks)** .....8285 kg  
**Overall width** .....2.39 m  
**Overall height** .....2.56 m  
**Turning radius (outside wheels)** .....4.15 m  
**Overall length** .....5.22 m  
**Ground clearance** .....0.44 m  
**Drawbar pull** .....9000 daN

## Reach at maximum height : 1.46 m



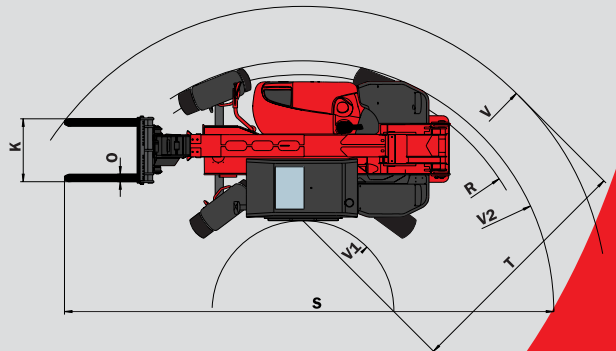
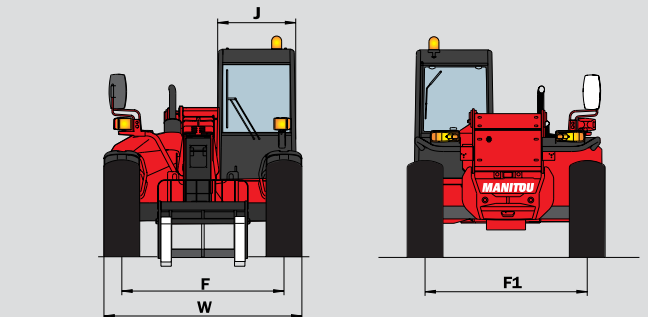
Under  
 EN 1459  
 annexe B



MLT 845 - 120 LSU

A	1200
B	2770
C	1409
C1	1487
D	5229
D1	5307
D2	4395
E	6429
F	1950
F1	1950
G	440
G1	435
G2	440
I	1050
J	950
K	1260
L	50
N	1850/1900
O	125
P2	43.5°
P3	40°
R	3930
S	8146
T	3703
U1	2565
U2	2745
V	5173
V1	1470
V2	4153
W	2395
Y	12°
Z	130°

mm



This publication in no way constitutes an offer and the company reserves the right to alter specification without prior notice.  
 The MANITOU models presented in this brochure can be supplied complete with optional equipment attachments.  
 PATENTS FR 93 14367 - EP 0 656 315 - US PENDING

