

MANISCOPIC


MLT 742 H
Turbo LSU


- Accuracy of approach
- Simultaneous and proportional movements
- 4200 kg lifting capacity





 **MANITOU**

MLT 742 H Turbo LSU


 **Lifting capacity**4200 kg
(load centre at 500mm from forks heels)
Tipping load at maximum reach1990 kg


 **Lifting height** :6.90 m
Times : unladen/loaded (in s)
Lifting7/7.5
Lowering5.3/5.2
Boom extension8.2/9
Boom retraction6.2/6
Time unladen (in s)
Crowd3.5
Dump3


 **Tyres**
14.9 - 24 T 35 18 PR


 **Forks** (mm)
Length.....1200
Width X thickness.....125 x 50
Maximum distance between forks.....1040


 **Oil immersed multidisc brakes on front and rear axles**

 **Perkins engine**
Turbo : 1104 C - 44T.....4 cyl. 4400 cm³
Power (ISO/TR 14396).....101 HP/74.5 kw
Maximum torque
(ISO/TR 14396) :412 Nm at 1400 rpm
Direct injection
Water cooling

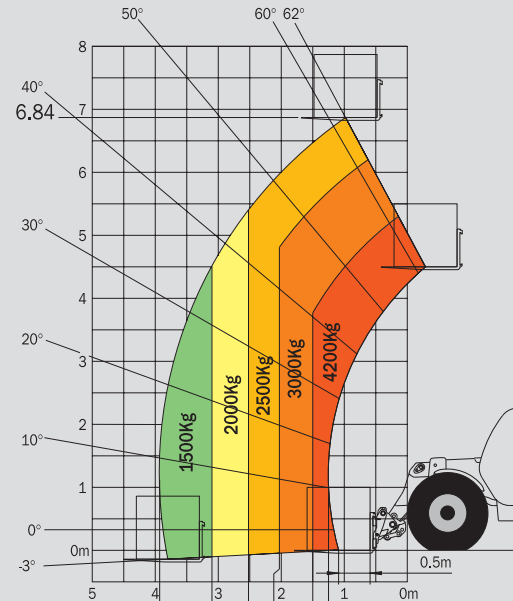
 **Transmission**hydrostatic
Number of speeds4 F/2 R
Reversing shift.....electrohydraulic
Limited slip differential lock
Maximum speed.....25 km/h

 **Hydraulic Turbo LSU**150 l./mn - 270 bars
Load Sensing pump with electronic control
Electro proportional command monolever
Flow divider with load sensing device driving and braking

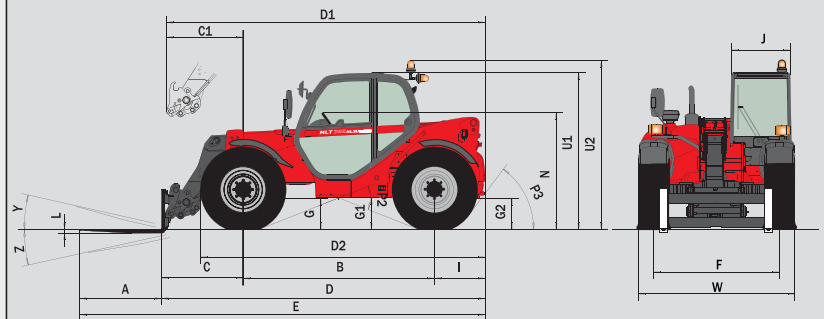
 **Capacities**
Cooling circuit21 l
Engine oil11 l
Hydrostatic transmission circuit128 l
Fuel tank120 l

 **Weight unladen** (with forks)7600 kg
Overall height2.30 m
Overall width2.26 m
Overall length (at forks carriage).....4.79 m
Ground clearance0.45 m
Turning radius (outside wheels)3.82 m
Drawbar pull.....8350 daN

Forward reach at maximum height : 1,03 m



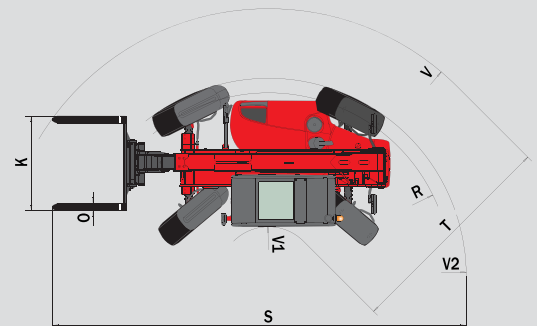
EN 1459 annexe B



MLT 742 H LSU TURBO

A	1200
B	2810
C	1217
C1	1288
D	4790
D1	4861
D2	4158
E	5990
F	1846
G	455
G1	440
G2	440
I	763
J	865
K	1040
L	50
N	1720
O	125
P2	38°
P3	53°
R	3610
S	7639
T	3425
U1	2300
U2	2550
V	4785
V1	1360
V2	3818
W	2261
Y	12,3°
Z	133,5°

mm



In standard :

- 2 front working lights
- 1 rear working light
- roof wipers
- sun visor
- electric plug for tow
- hydraulic line for attachment + quick fitting system
- cyclonic pre-filter

This publication in no way constitutes an offer and the company reserves the right to alter specification without prior notice.
The MANITOU models presented in this brochure can be supplied complete with optional equipment attachments.



MANITOU BF SA

B.P. 249 - 44158 Ancenis Cedex - France
Tél. : 33 2 40 09 10 11 / Export Department Fax : 33 2 40 09 10 97
www.manitou.com

700049EN - BE 158/Ind A

