

MANISCOPIC

■ MLT 731

- Maximum lifting height : 6,90 m
- Capacity : 3100 kg
- Maximum forward reach : 4,16 m
- Torque convertor



MLT 731 TURBO - FFGR 30 MT 2100

 **MANITOU**

MLT 731

Lifting capacity3100 kg
 at 500 mm from forks heels.
 Tipping load
 at maximum reach :1420 kg
 Tear out force with toothed digging bucket
 to ISO 8313-1986 with tilting ram5650 daN

Lifting height :6.90 m
Times : unladen/loaded (in s)
 Lifting6.7/7.3
 Lowering5/4.7
 Boom extension6.3/6.8
 Boom retraction3.3/3
 Time unladen (in s)
 Crowd3
 Dump2.6

Tyres
 17,5 LR 24 - XM 27

Forks (mm)
 Length1200
 Width x thickness125 X 45
 Maximum distance between forks1260
 Carriage rotation146°

Multidisc brakes - Hydraulically assisted on 4 wheels

PERKINS Engine
 Turbo : 1104 C - 44 T4 cyl. - 4400 cm³
 Power at 2200 rpm
 (ISO/TR 14396) Turbo101 HP/74.5 kw
 Maximum torque : Turbo412 Nm at 1400 r.p.m.
 Direct Injection
 Water cooling

TransmissionTorque Converter
 Electro - Hydraulic reversing shift
 4 speeds forward and reverse
 Max travel speed :till 35 km/h

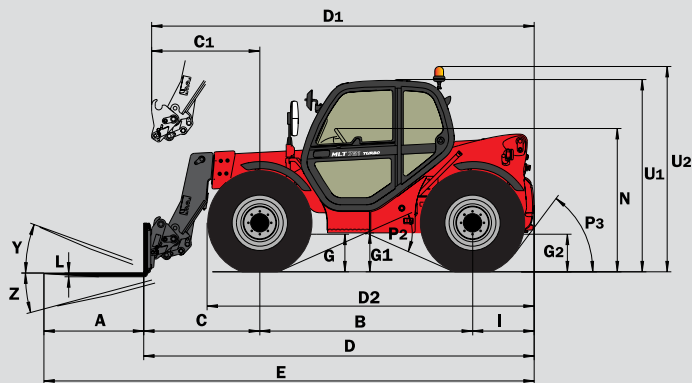
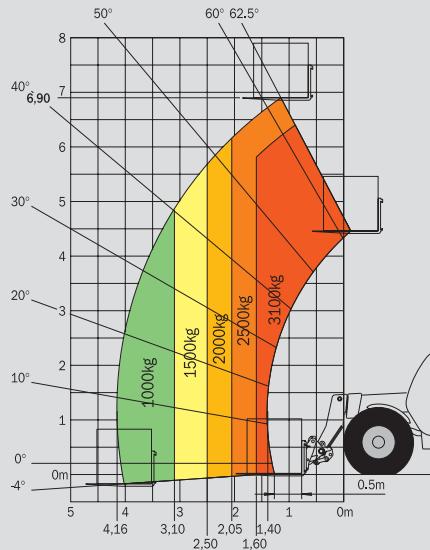
Hydraulics
Turbo :105 l./mn - 250 bars
 gear type
Turbo LSU :110 l./mn - 270 bars
 Load Sensing pump
 Electro proportional command monolever
 Flow divider with priority to device driving and braking

Capacities
 Hydraulic oil125 l.
 Fuel tank120 l.

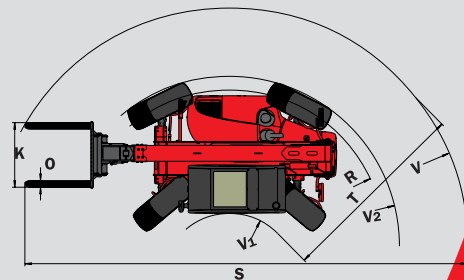
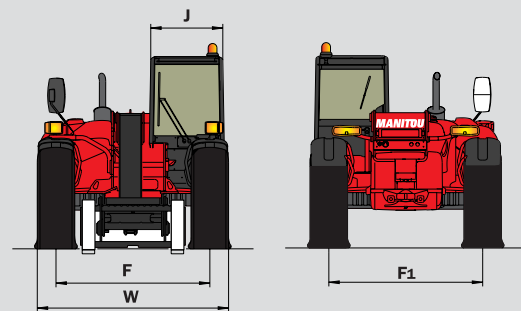
Weight unladen (with forks)6975 kg
Overall width2.30 m
Overall height2.30 m
Turning radius (outside wheels)3.70 m
Overall length4.87 m
Ground clearance0.44 m
Drawbar pull :8600 daN

Reach at maximum height : 1.15 m

Under
 EN 1459
 annexe B



	MLT 731 T MLT 731 T LSU
A	1200
B	2560
C	1441
C1	1537
D	4878
D1	4974
D2	4037
E	6078
F	1870
F1	1870
G	455
G1	440
G2	440
I	877
J	865
K	1260
L	45
N	1720
O	125
P2	47.5°
P3	53°
R	3475
S	7624
T	3615
U1	2300
U2	2550
V	4865
V1	1250
V2	3703
W	2325
Y	12.3°
Z	133.7°



This publication in no way constitutes an offer and the company reserves the right to alter specification without prior notice.
 The MANITOU models presented in this brochure can be supplied complete with optional equipment attachments.

