

MANISCOPIC

■ **MLT 630**
MLT 634



- Maximum lifting height : 6.05 m
- Capacity : 3000 kg/3400 kg
- Maximum forward reach : 3.25 m
- Torque convertor

MLT 634 TURBO LSU - CBG Standard 2450

 **MANITOU**

MLT 630/634



Lifting capacity3000 kg 3400 kg
 at 500 mm from forks heels.
 Tipping load at maximum reach :...1630 kg 2030 kg
 Tear out force with bucket
 to ISO 83135200 daN 5200 daN



Lifting height :6.05 m
Times : unladen/loaded (in s)
 Lifting6.1/7.5
 Lowering5/4.6
 Boom extension5.2/6.2
 Boom retraction4.2/4.1
 Time unladen (in s)
 Crowd2.9
 Dump2.7



Tyres
 17.5 LR 24 - XM 27



Forks (mm)
 Length1200
 Width x thickness125 X 45
 Maximum distance between forks1260
 Carriage rotation146°



Multidisc brakes - hydraulically assisted on 4 wheels



Perkins engine
 Turbo : 1104 C - 44 T4 cyl. - 4400 cm³
 Turbo 120 : 1104 C - 44 TA4 cyl. - 4400 cm³
 Power at 2200 rpm
 (ISO/TR 14396) Turbo101 HP/74.5 kw
 Turbo 120123 HP/90.5 kw
 Maximum torque : Turbo412 Nm at 1400 r.p.m.
 Maximum torque : Turbo 120 ..434 Nm at 1400 r.p.m.
 Direct Injection
 Water cooling



TransmissionTorque Converter
 Electro - Hydraulic reversing shift
 4 speeds forward and reverse
 Max. travel speed :till 40 km/h*
 Powershift available for the MLT 634-120



Hydraulics
Turbo :105 l./mn - 250 bars
 Gear pump
Turbo LSU :110 l./mn - 270 bars
 Load Sensing pump
 Electro proportional command monolever
Turbo 120 LSU :150 l./mn - 270 bars
 Load Sensing pump with electronic control
 Electro proportional command monolever
 Flow divider with load sensing device driving and braking



Capacities
 Hydraulic oil125 l.
 Fuel tank120 l.



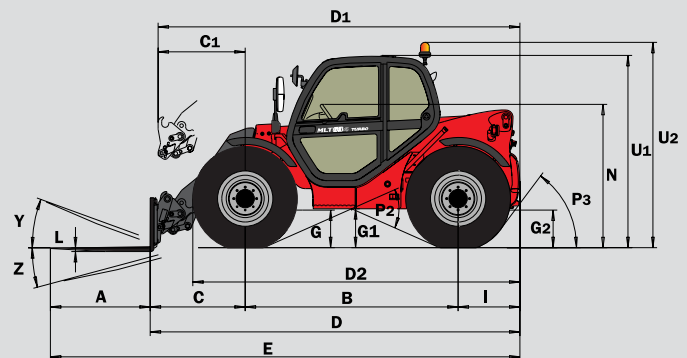
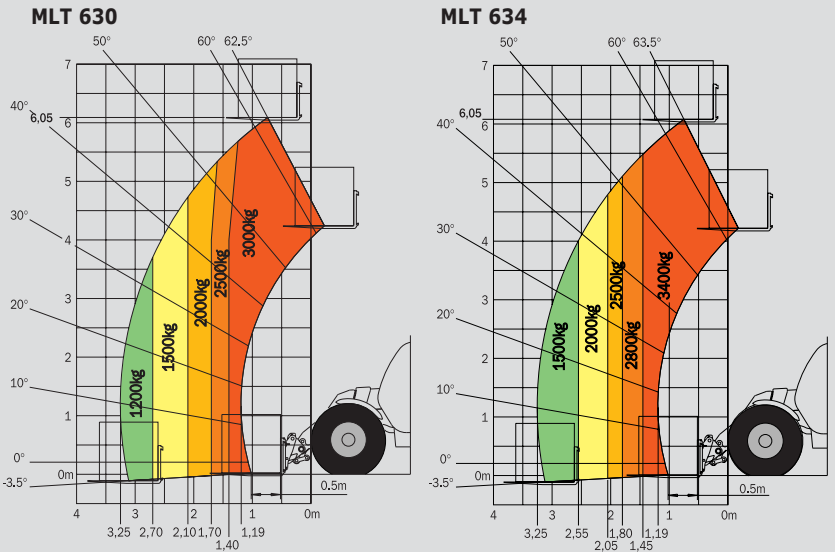
MLT 630/MLT 634
Weight unladen (with forks) :6450 kg/6950 kg
Overall width2.30 m/2.30 m
Overall height2.30 m/2.30 m
Turning radius (outside wheels)3.70 m/3.70 m
Overall length4.49 m/4.57 m
Ground clearance0.44 m/0.44 m
Drawbar pullTurbo 7500 daN
 Turbo LSU 8600 daN
 Turbo 120 LSU 8600 daN

* Depending on models

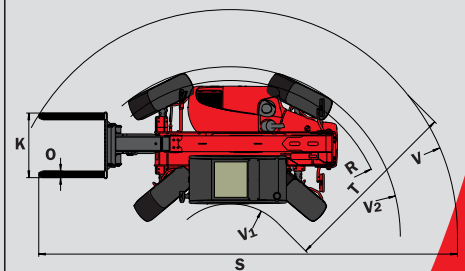
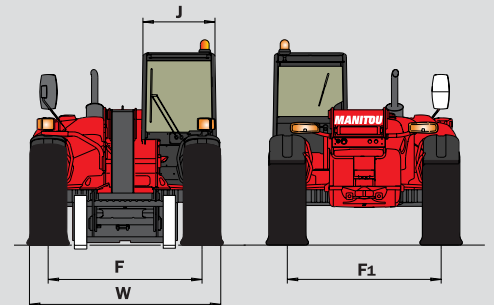
This publication in no way constitutes an offer and the company reserves the right to alter specification without prior notice.
 The MANITOU models presented in this brochure can be supplied complete with optional equipment attachments.

Reach at maximum height : 0.75 m

Under EN 1459
 annexe B



	MLT 630 T	MLT 634 T LSU MLT 634 - 120 LSU MLT 634 - 120 LSU PS
A	1200	1200
B	2560	2560
C	1142	1142
C1	1245	1245
D	4491	4579
D1	4594	4682
D2	3949	4037
E	5691	5779
F	1870	1870
F1	1870	1870
G	455	455
G1	440	440
G2	440	440
I	789	877
J	865	865
K	1260	1260
L	45	45
N	1720	1720
O	125	125
P2	47.5°	47.5°
P3	53°	53°
R	3475	3475
S	7324	7324
T	3380	3380
U1	2300	2300
U2	2550	2550
V	4630	4630
V1	1250	1250
V2	3703	3703
W	2325	2325
Y	12°	12°
Z	134°	134°



MANITOU BF SA

B.P. 249 - 44158 Ancenis Cedex - France
 Tél. : 33 2 40 09 10 11 / Export Department Fax : 33 2 40 09 10 97
 www.manitou.com

700045EN - BE-152/Ind. D

