

MANISCOPIC

MLT 523
Turbo

- Maximum lifting height : 4.97 m
- Capacity : 2300 kg
- Maximum forward reach : 2.82 m
- Hydrostatic transmission



MLT 523 T with a CBA 1500

 **MANITOU**

MLT 523 T

Lifting capacity2300 kg
at 500 mm from forks heels.
Tipping load
at maximum reach :1450 kg
Tear out force with bucket
to ISO 8313.....4780 daN

Lifting height :4.97 m
Times : unladen / loaded (in s)
Lifting6/6.7
Lowering4/4
Boom extension.....4.5/4.6
Boom retraction3/2.4
Time unladen (in s)
Crowd2.70
Dump.....2.30

Tyres
12.5 - 80 - 18 SGI
Option : 10.5 - 18 TG 42 10 PR

Forks (mm)
Length.....1200
Width.....125

Oil bath multidisc brakes on front axle

Perkins engine
Type1103C-33 Turbo 3/3300 cm³
Power (ISO/TR 14396)75 HP/55 kw
Maximum torque.....291 Nm at 1400 tr/mn
Direct injection
Water cooling

Transmissionhydrostatic
Electro - hydraulic reversing shift
One speed forward and reverse

Hydraulics
Lifting/tilting pump :
gear type90 l./mn - 260 bars
Flow divider with priority to steering

Capacities
Cooling system.....14.5 l.
Transmission oil102.5 l.
Engine oil6.2 l.
Fuel tank94 l.

Weight unladen (with forks)5182 kg
Overall width1.80 m
Overall height1.98* or 2.01 m
Turning radius (outside wheels)3.08 m
Overall length4.20 m
Ground clearance0.30 m
Drawbar pull.....3400 daN

* Tyres : 10.5 - 18

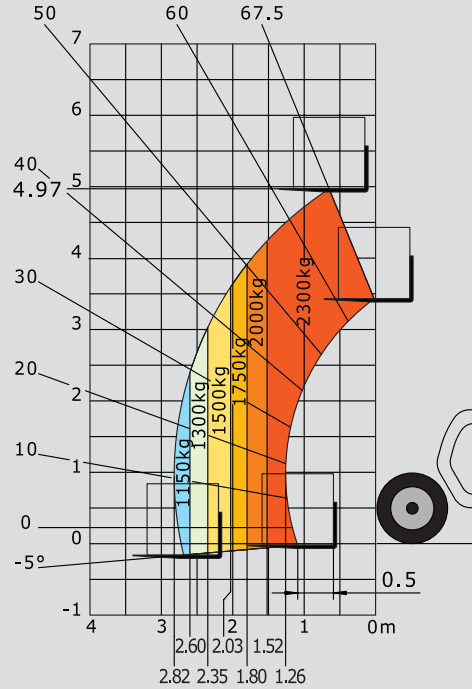
This publication in no way constitutes an offer and the company reserves the right to alter specification without prior notice.
Model illustrated may have optional equipment which is available at additional cost.



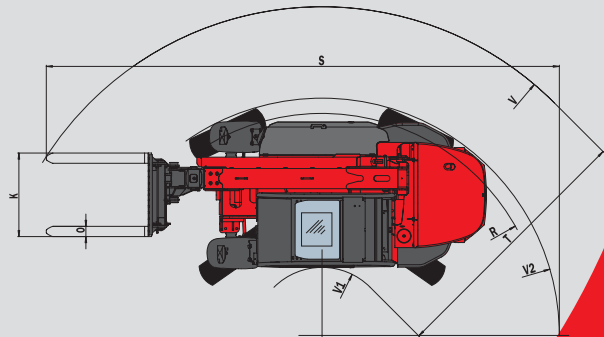
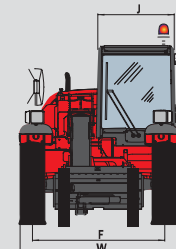
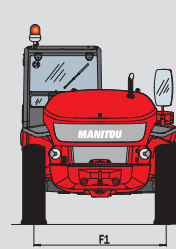
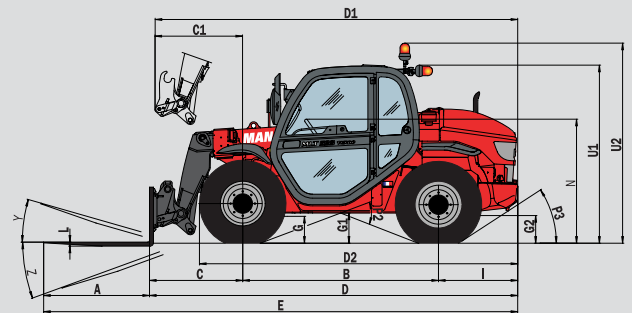
MANITOU BF SA
B.P. 249 - 44158 Ancenis Cedex - France
Tél. : 33 2 40 09 10 11 / Export Department Fax : 33 2 40 09 10 97
www.manitou.com

700042EN - BE 107 Ind C

Reach at maximum height : 0,64 m



Under EN 1459 annexe B



MLT 523 Turbo	
A	1200
B	2230
C	1070
C1	1005
D	4205
D1	4140
D2	3626
E	5405
F	1500
F1	1500
G	305
G1	355
G2	325
I	905
J	865
K	1020
L	45
N	1410
O	125
P2	39°
P3	31°
R	2870
S	6470
T	3130
U1	2010
U2	2300
V	4125
V1	995
V2	3085
W	1810
Y	11.8°
Z	120.4°

(mm)

